

# SurgePanel™ P-Series

## for Tri-phase AC Lines



### SPECIFICATION

Item	SPECIFICATION		
Rated system voltage 적용회로전압	3-Phase 380/220V 4W+Gnd		
Frequency 회로 주파수	50 / 60 Hz		
Connection Method 연결방식	Parallel Connection Type		
Operating Temperature 동작온도	-40 °C ~ +70 °C		
Storage Temperature 보관온도	-40 °C ~ +80 °C		
Max. Operating Altitude 고도	5,000 meters		
Max. Surge Current Capacity 서지용량	80kA/Phase ~ 320kA/Phase		
Voltage Protection Level $U_p$ 전압보호레벨	2.5 kV	3.0 kV	2.0 kV
Protection mode 보호모드	L - G / L - N / N - G		
MCOV $U_c$ 최대연속사용전압	320 Vac		
Protection Stages 보호순서	MOV-Filter-MOV		
Diagnostics 상태 표시	Green LEDs (Protected) / Red LEDs (Replace)		
Li Voltage Level 전압레벨	L-N, N-G, LG	660V @2kV/1kA (ANSI/IEEE c62.41 cat B1) 800V @6kV/3kA (ANSI/IEEE c62.41 cat B3/C1) 1,200V @20kV/10kA (ANSI/IEEE c62.41 cat C3)	
	L-L	1,300V @2kV/1kA (ANSI/IEEE c62.41 cat B1) 1,500V @6kV/3kA (ANSI/IEEE c62.41 cat B3/C1) 2,000V @20kV/10kA (ANSI/IEEE c62.41 cat C3)	
Response Time 반응속도	< 1 nano-seconds		
Internal Disconnecter 내부 분리기	Thermal Runaway Multi-Fusing Protection TPS-2S20B Recommended		

General Protection Mode SPD

# SurgeBox™ P-Series

for Tri-phase AC Lines

(Y-connection, 4wire+Gnd)



## SPECIFICATION

PrimeSolution's SPDs (called TVSS in North America), the SurgeBox™ H-series provide clean power for sensitive electronic loads. The S SurgeBox™ shunts high energy induced lightning surges as well as other forms of transient disturbances. A properly installed SurgeBox™ will protect critical equipment in telecommunication facilities.

The SurgeBox™ removes power disturbances from electrical distribution systems using a low impedance shunt path to the ground. Surges and electrical line noise are absorbed by the SurgeBox™ and are prevented from traveling through system wires to sensitive electronic loads.

The SurgeBox™ can withstand repetitive lightning induced surges (1.2/50µs 20kV, 8/20µs 10kA) on the AC power line. These test levels meet IEEE standard c62.41 category C3.

The SurgeBox™ has surge current rated Thermal-runaway Fusing system built-in. The H-series conforms with CE safety EN 61643-11 according to the standard of IEC 61643-11.

The H-series works with 3-phase and single-phase system simultaneously. The H-series also has green LEDs that indicate normal operation status for each phase and red color LEDs that indicate abnormal status for each phase.

## SCOPE

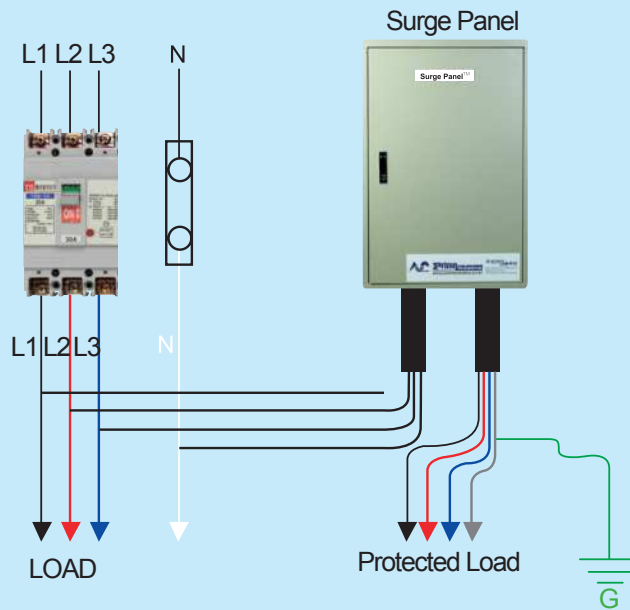
The SurgeBox™ for AC power circuits are designed for installation at main service entrances, distribution panels and subpanels. These product protects facilities and equipment from damage due to external transients and surge caused by lightning, induction, switching. The SurgeBox™ H-series works with 3-phase 3wire, 4wire+gnd power lines and TN-C, TN-S, TT, IT systems.



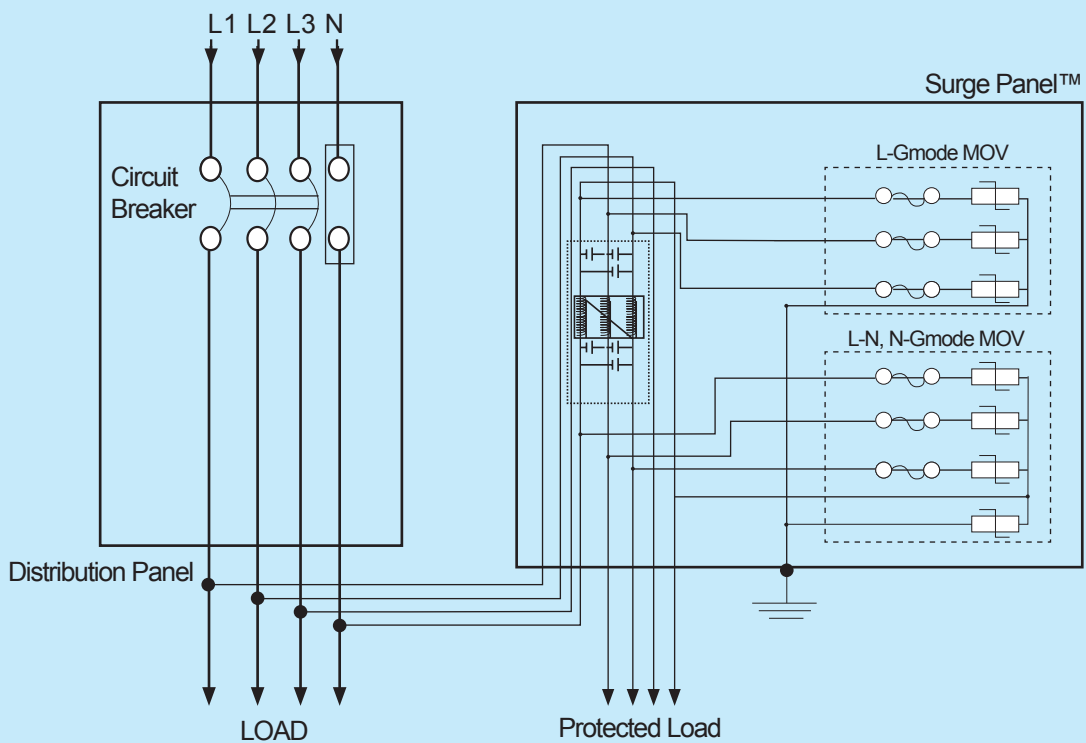
# SurgeBox™ P-Series

## for Tri-phase AC Lines

### INSTALLATION



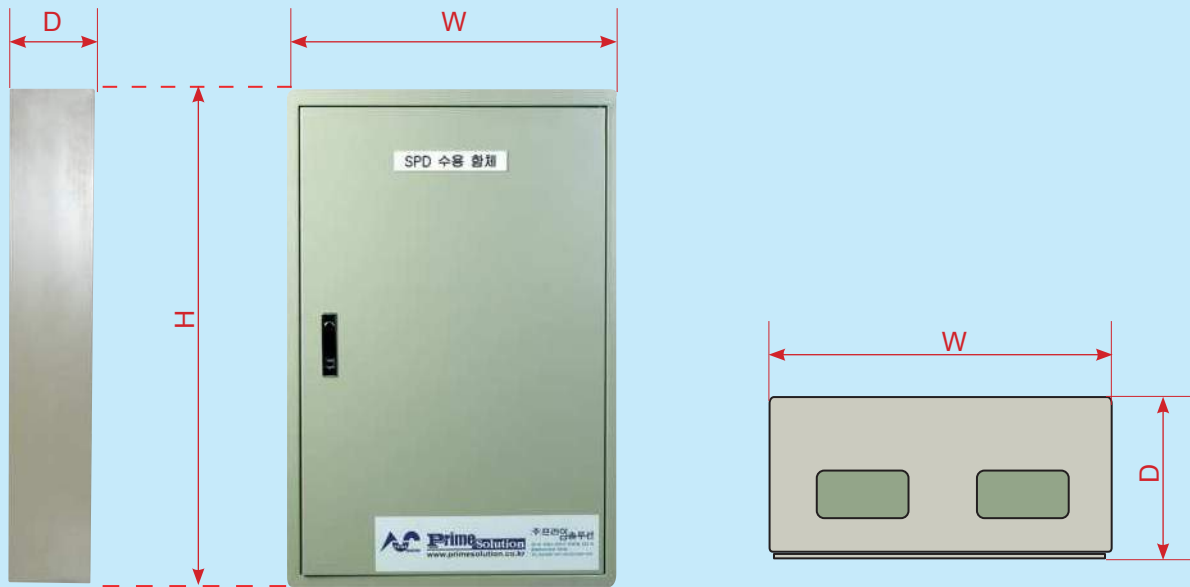
### CIRCUIT DIAGRAM



# SurgeBox™ P-Series

## for Tri-phase AC Lines

### DIMENSION



Model No.	Surge Current Capacity	Max. Line Current	Dimensions (W x H x D) mm(inch)	Product Weight
SP220Y-80F 100	80ka/phase 40ka/mode	100A	530 x 700 x 200mm (20.8"x27.6"x7.8")	22kg (22lb)
SP220Y-80F 150		150A		
SP220Y-80F 200		200A	600 x 850 x 200mm (23.6"x33.4"x7.8")	
SP220Y-80F 300		300A		
SP220Y-160F 100	160ka/phase 80ka/mode	100A	530 x 700 x 200mm (20.8"x27.6"x7.8")	22kg (22lb)
SP220Y-160F 150		150A		
SP220Y-160F 200		200A	600 x 850 x 200mm (23.6"x33.4"x7.8")	
SP220Y-160F 300		300A		
SP220Y-240F 100	240ka/phase 120ka/mode	100A	530 x 700 x 200mm (20.8"x27.6"x7.8")	22kg (22lb)
SP220Y-240F 150		150A		
SP220Y-240F 200		200A	600 x 850 x 200mm (23.6"x33.4"x7.8")	
SP220Y-240F 300		300A		
SP220Y-320F 100	320ka/phase 160ka/mode	100A	530 x 700 x 200mm (20.8"x27.6"x7.8")	22kg (22lb)
SP220Y-320F 150		150A		
SP220Y-320F 200		200A	600 x 850 x 200mm (23.6"x33.4"x7.8")	
SP220Y-320F 300		300A		